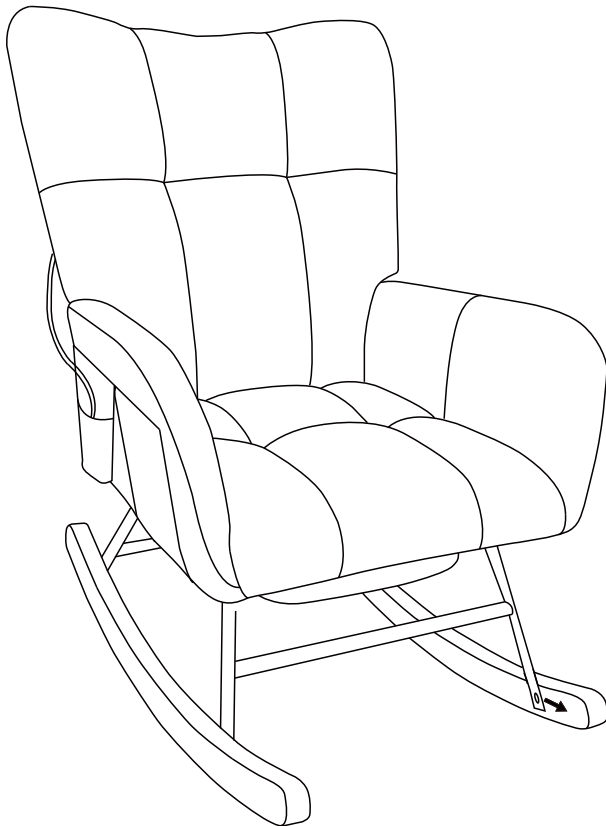
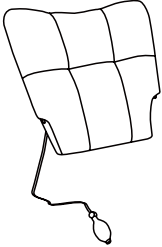
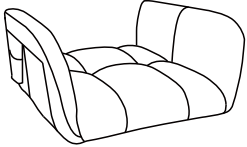
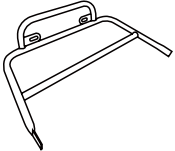
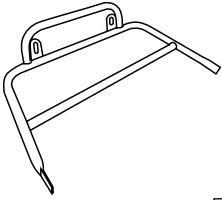
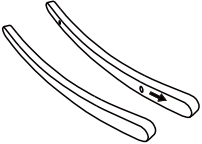
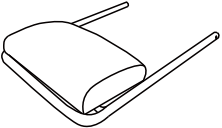
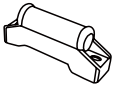
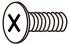
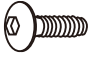
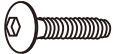


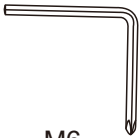
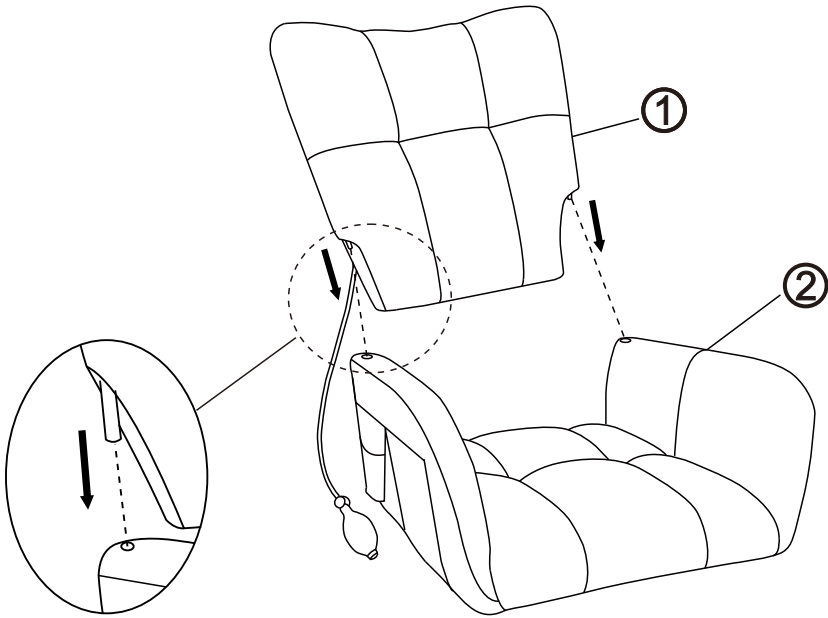


stylor rocking chair



<p>①</p>  <p>x 1</p>	<p>②</p>  <p>x 1</p>	<p>③</p> <p>FRONT</p>  <p>x 1</p>
<p>④</p> <p>BACK</p>  <p>x 1</p>	<p>⑤</p> <p>R&L</p>  <p>x 1</p>	<p>⑥</p>  <p>x 1</p>
<p>⑦</p>  <p>x 2</p>	<p>A</p>  <p>M5x20mm</p> <p>x 1</p>	<p>B</p>  <p>M6x20mm</p> <p>x 8</p>
<p>C</p>  <p>M6x30mm</p> <p>x 4</p>	<p>D</p>  <p>M6x50mm</p> <p>x 2</p>	<p>E</p>  <p>M6x22x1.5mm</p> <p>x 2</p>
<p>F</p>  <p>M6</p> <p>x 1</p>		

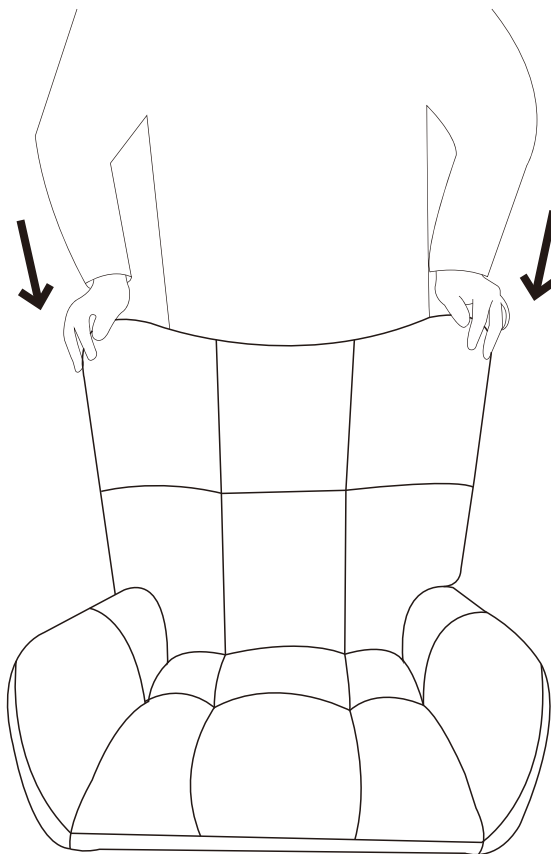
1



There are 2 cannon baron on the bottom of the back,
please insert them into the holes on the armrest.

2

Hold the backrest
and press down



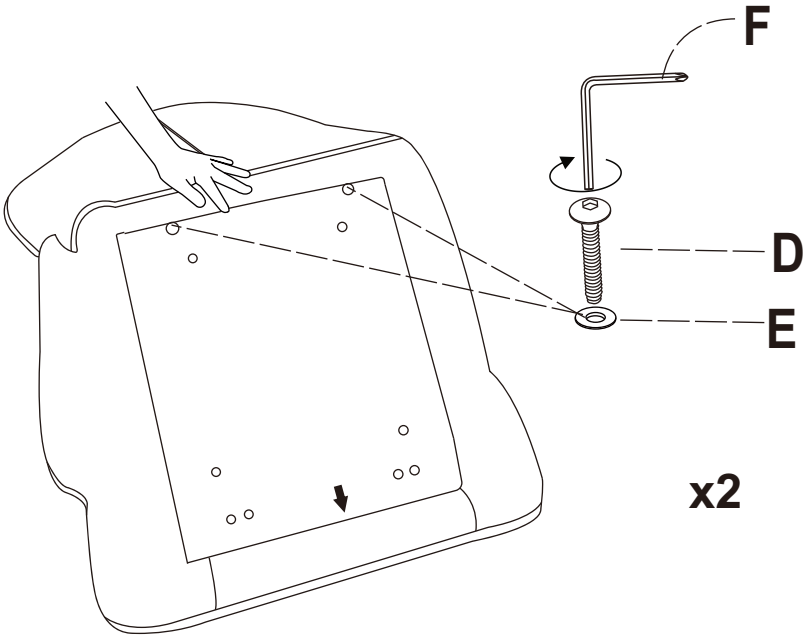
Attention :

1.screws should be only 50% tight.

2.after all the screws adjust the holes then tight screws 100% totally.

3

Make sure the back and the bottom tight fit, then drew the screws in, then tighten.



x2

D



2PCS

E

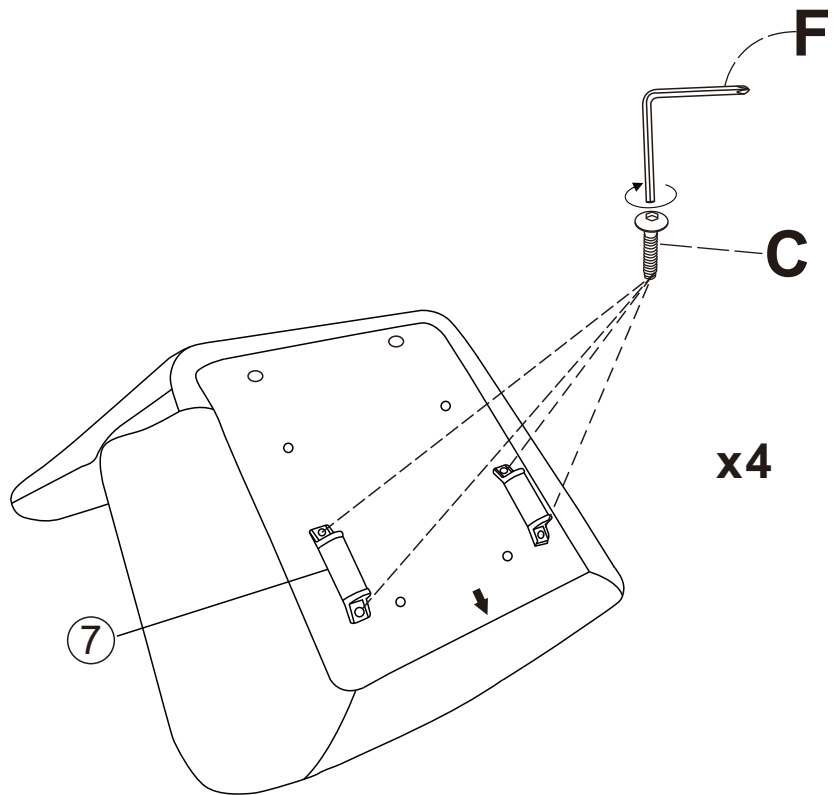


2PCS

Attention :

1.screws should be 100% tight.

4

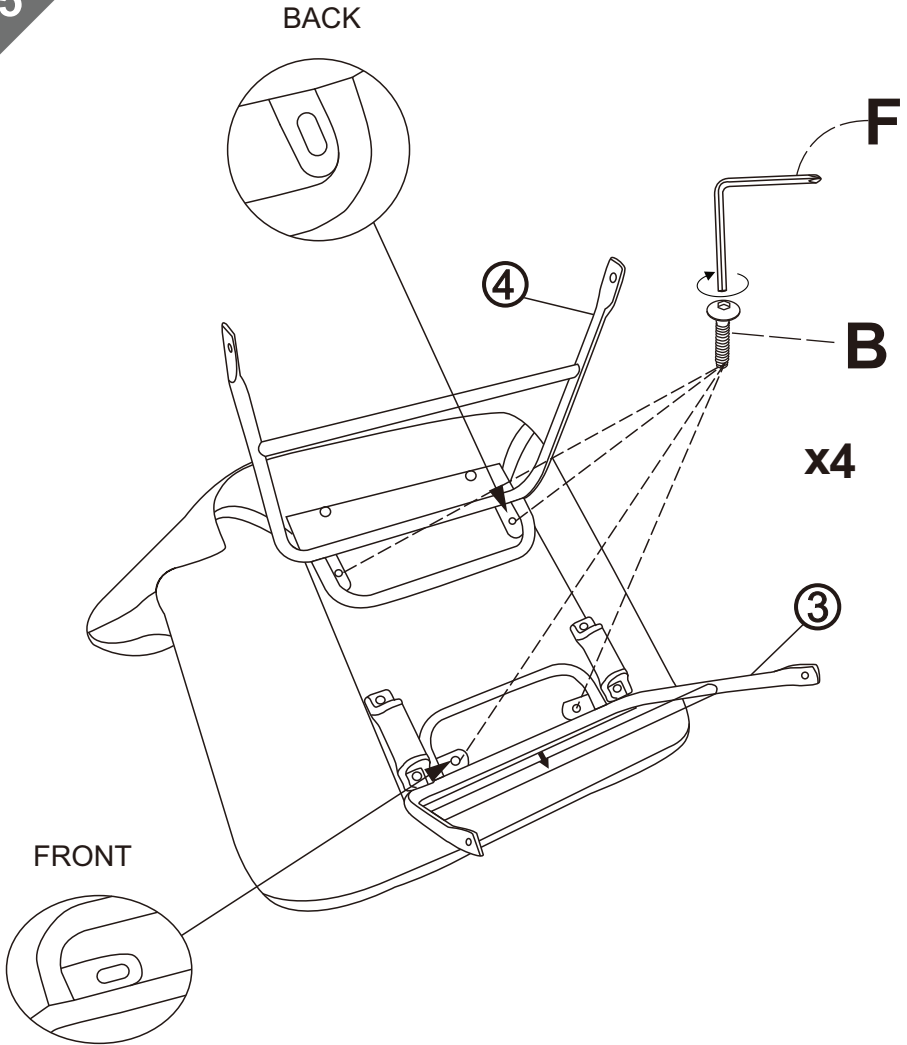


C		4PCS
----------	---	------

Attention :

1.screws should be only 50% tight.

5



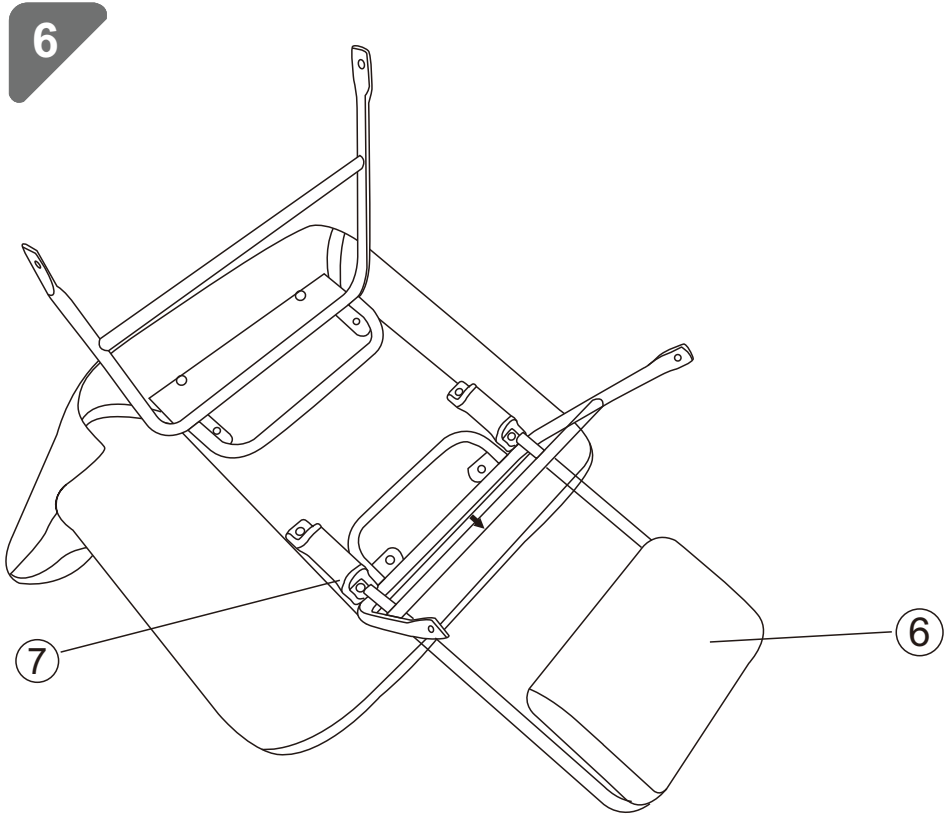
B



4PCS

Attention :

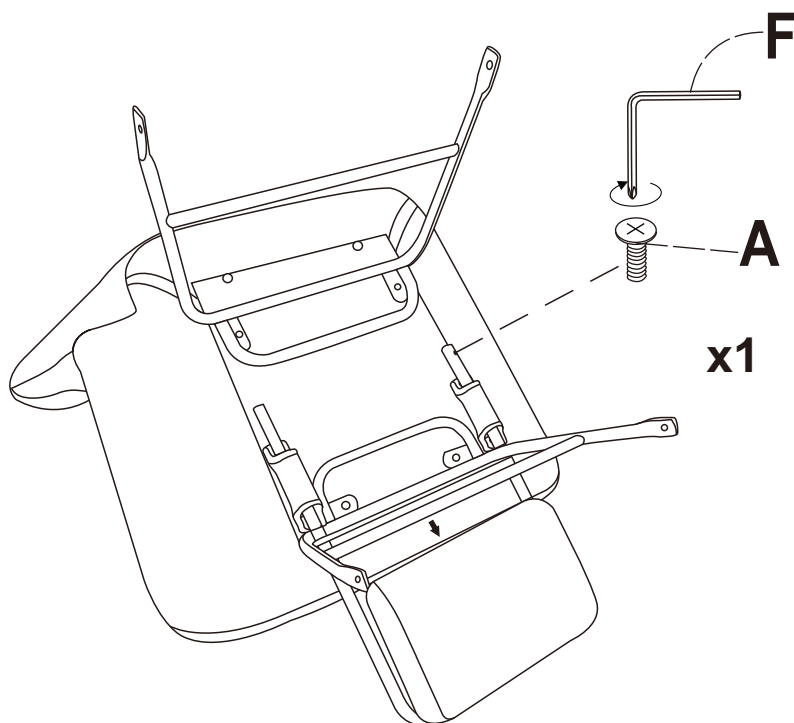
1.Insert ⑥ into ⑦ holes.



Attention :

1.lock the screw.

7



A



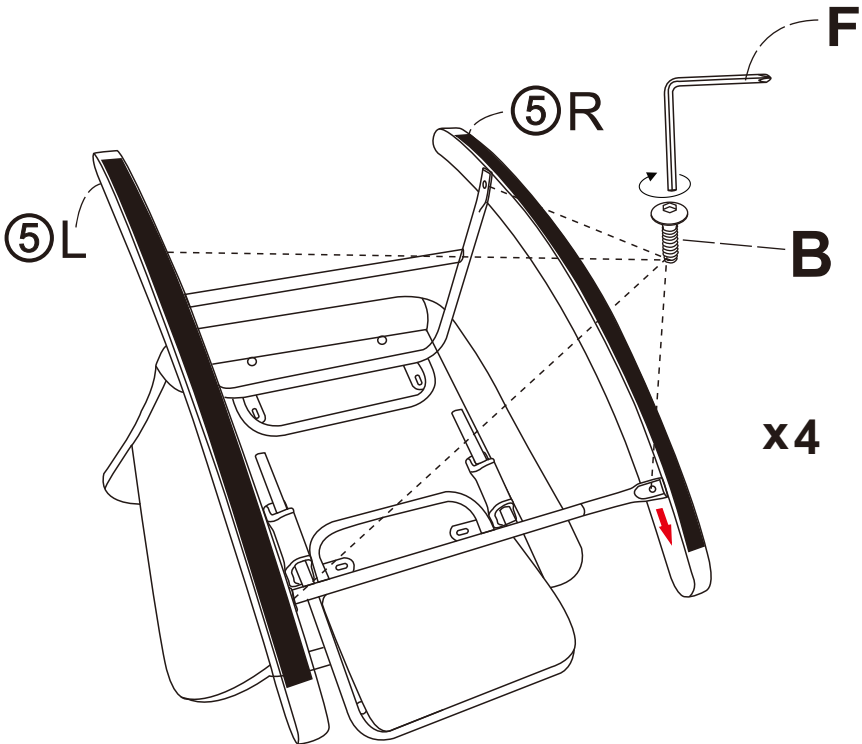
1PC

Attention :

1.screws should be only 50% tight.

8

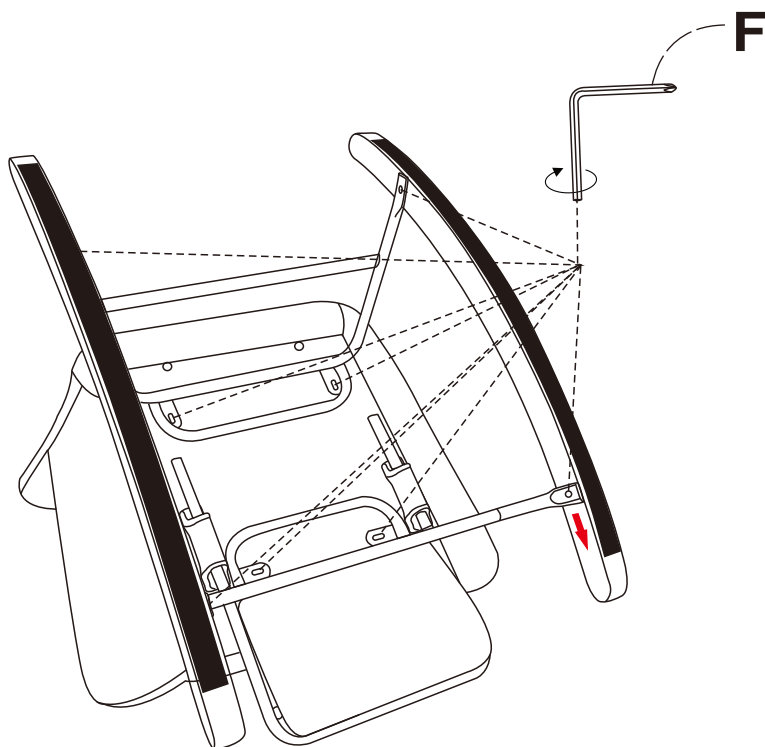
Make sure the arrows are pointing forward.



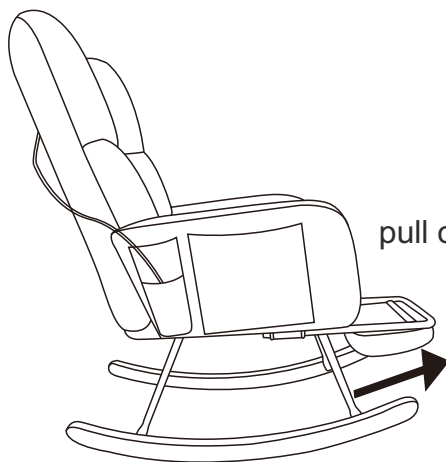
Attention :

1. after all the screws adjust the holes then tight screws 100% totally.

9

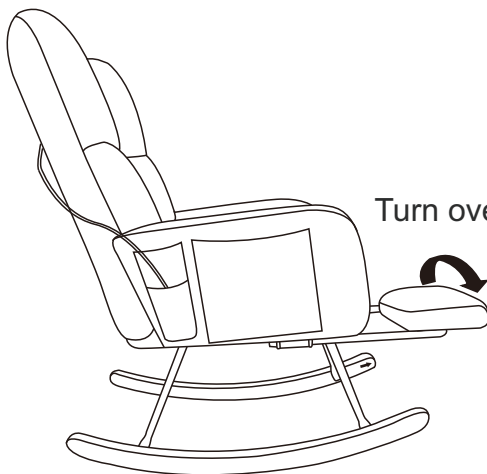


10



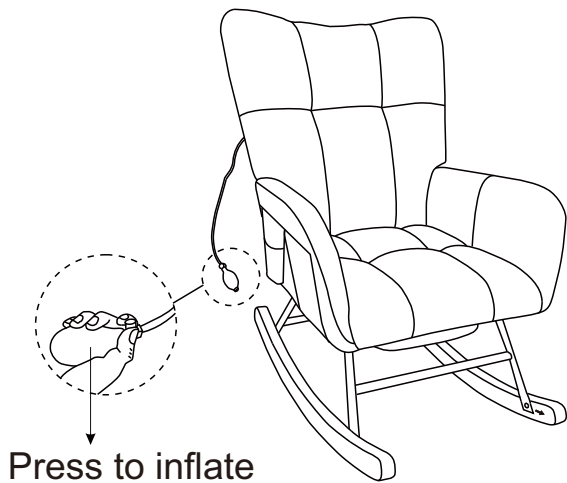
pull out the footrest.

11



Turn over the footrest.

12



13

